

MainSAIL Measurement

Customer: _____
 Boat name: _____
 Order No.: _____
 Date: _____

info@yacht-direct.com

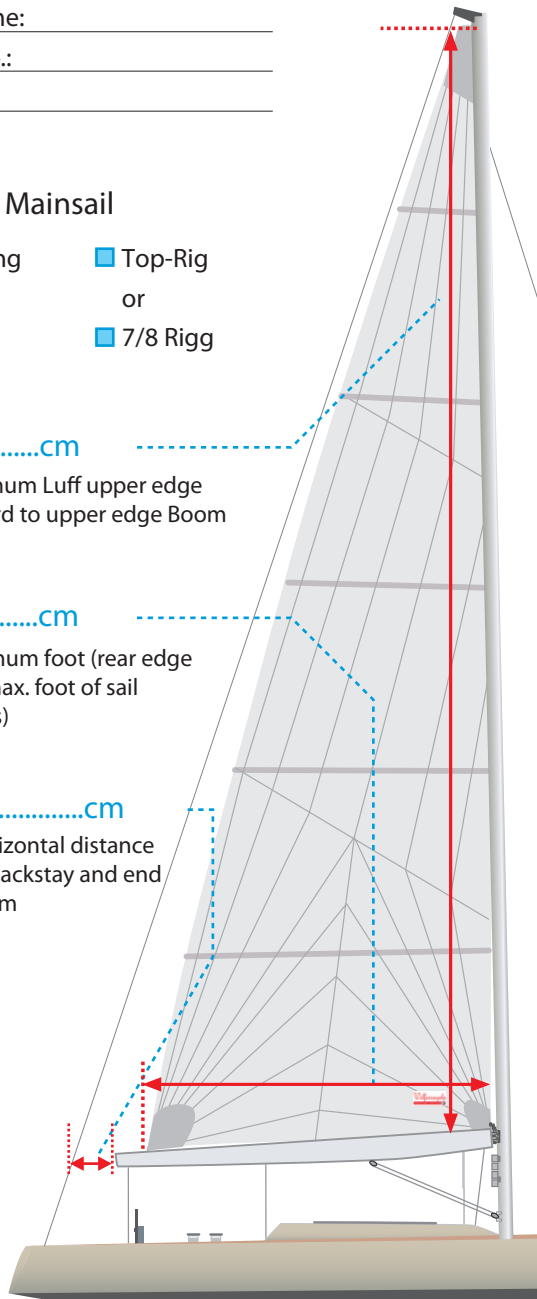
Type of Mainsail

- Cruising Top-Rig
 or or
 Race 7/8 Rigg

P =cm
 P = Maximum Luff upper edge head board to upper edge Boom

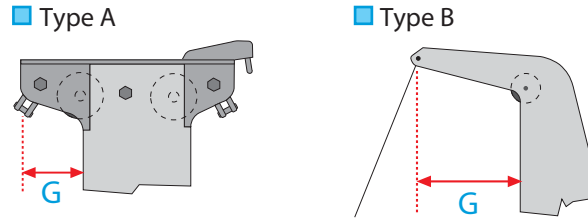
E =cm
 E = Maximum foot (rear edge mast to max. foot of sail lengthens)

MLG =cm
 MLG = horizontal distance between Backstay and end of the boom



Mast top type

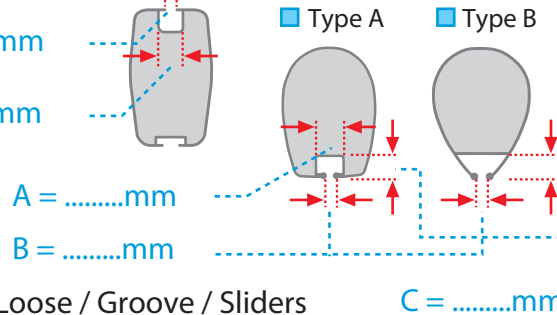
G =cm
 G = Mast rear edge to backstay top pin



Boom profile

A =mm
B =mm

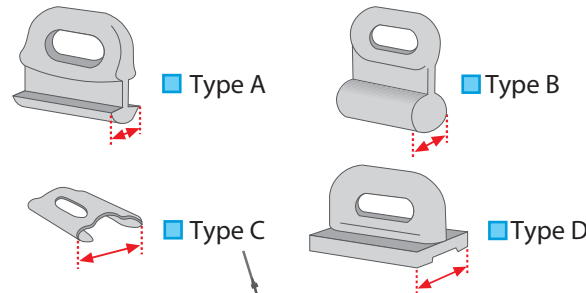
Mast profile



Foot: Loose / Groove / Sliders

Luff: Groove / Sliders

Sliders type **R =mm**
 R = Diameter

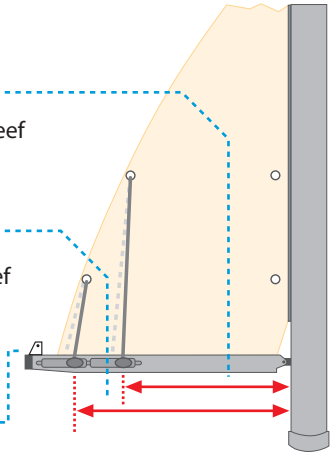


Leech reef

R1 =cm
 R1 = Rear edge mast to 2nd reef fitting (at the boom)

R2 =cm
 R2 = Rear edge mast to 1st reef fitting (at the boom)

Clew Cut up =X



Tack knock

F =cm
 F = Top of luff groove or track to top of boom.

H1 =cm
 H1 = Height of the Reef hook to the top of the boom

H2 =cm
 H2 = Aft face of mast to bearing point of reef hook.

H3 =cm
 H3 = Aft face of mast to bearing point of tack fitting.

